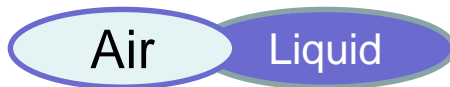




## “FRM1” series

External cracking pressure adjustment model.



### ■ Features

- Special packing rubber inhibits valve's vibration.
- Setting of cracking pressure is controllable.  
(Pressure setting is done before shipping)
- Body material is stainless (SUS314), excellent corrosion resistance.
- Liquid available, In-line type, High flow model.



### ■ Applications

- Machine Tools : Milling machine, NC lathe, laser processing machine etc.
- Industrial furnace : General industrial furnace, heating furnace, vacuum furnace, etc.
- Medical : Endoscope washing device, oxygen concentrator, anesthesia machine etc.
- Analysis equipment: Measurement equipment, component gas analysis, gas analyzer etc.
- Battery : Household fuel cell, secondary battery, gas engine etc.
- Water (liquid) treatment: Pure water production, pure water recycling.
- Gas generator related: Compressor, compact pressure vessel, various gas generator etc.
- Others: Oxygen capsule, gasoline measuring instrument, forklift etc.

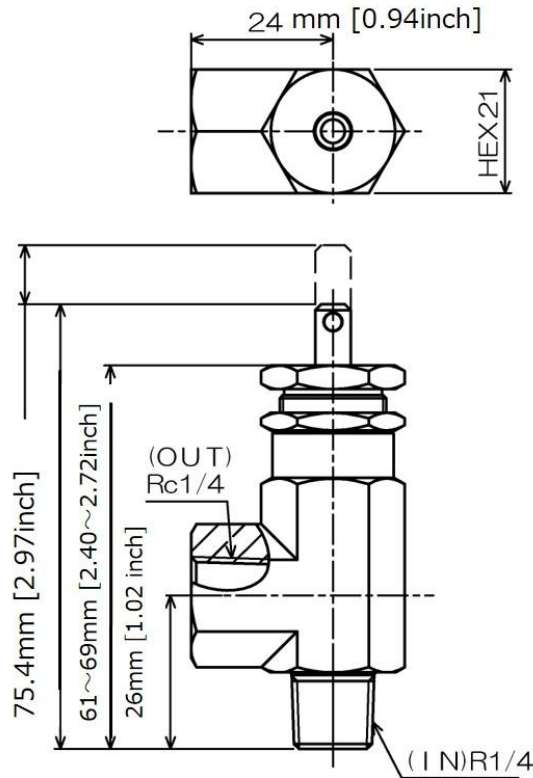
### ■ Specification

Working fluid	Water, Air, Inert gas	Maximum working Pressure MPa[psi]	2.0 [290.08]
Pipe port	1/4(In R × Out Rc)	Cracking pressure Setting range kPa[psi]	50 ~ 1500 [7.25 ~ 217.56]
Body material	Brass / SCS14	Pressure resistance MPa[psi]	3.0 [435.11]
Seal material	FKM(Standard)	Fluid temperature ℃[°F]	0 ~ 90[32 ~ 194] (FKM)
Weight g [pound]	170 [0.37] (FRM1B2V)	Operating temperature ℃[°F]	0 ~ 60 [32 ~ 140]
Comment	<ul style="list-style-type: none"> <li>■ Manual releasing mechanism(pull-ring or toggle lever)are option parts.</li> <li>■ If you need other material or port size, please contact us.</li> <li>■ If you order other fluids, use FRM2.</li> </ul>		



# FUJIKURA COMPOSITES

## ■ Size



## ■ Model designation

FRM1 T 2 V — A — 150 — ※

Model name	
FRM 1	External cracking pressure adjustment type.

Pipe port	
2	1/4

Cracking pressure kPa	
A	50~150kPa [7.25~21.76psi]
B	150~500kPa [21.76~72.52psi]
C	500~1500kPa [72.52~217.56psi]

Body material	
B	Brass
T	SUS316

Seal material/Temperature range		
V	FKM (Standard)	0~90°C [32~194]psi

Option (Manual release part)	
None	None
P	Pull ring
R	(Tugle) Lever

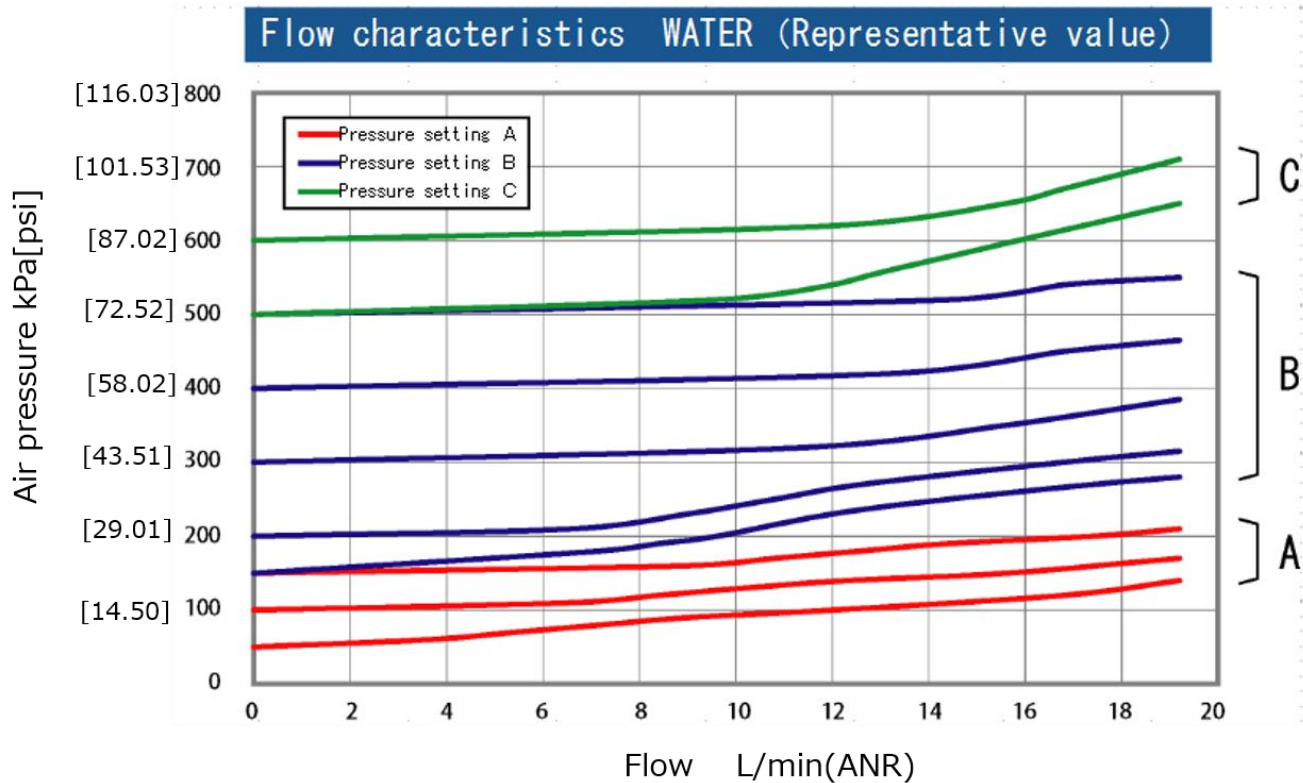
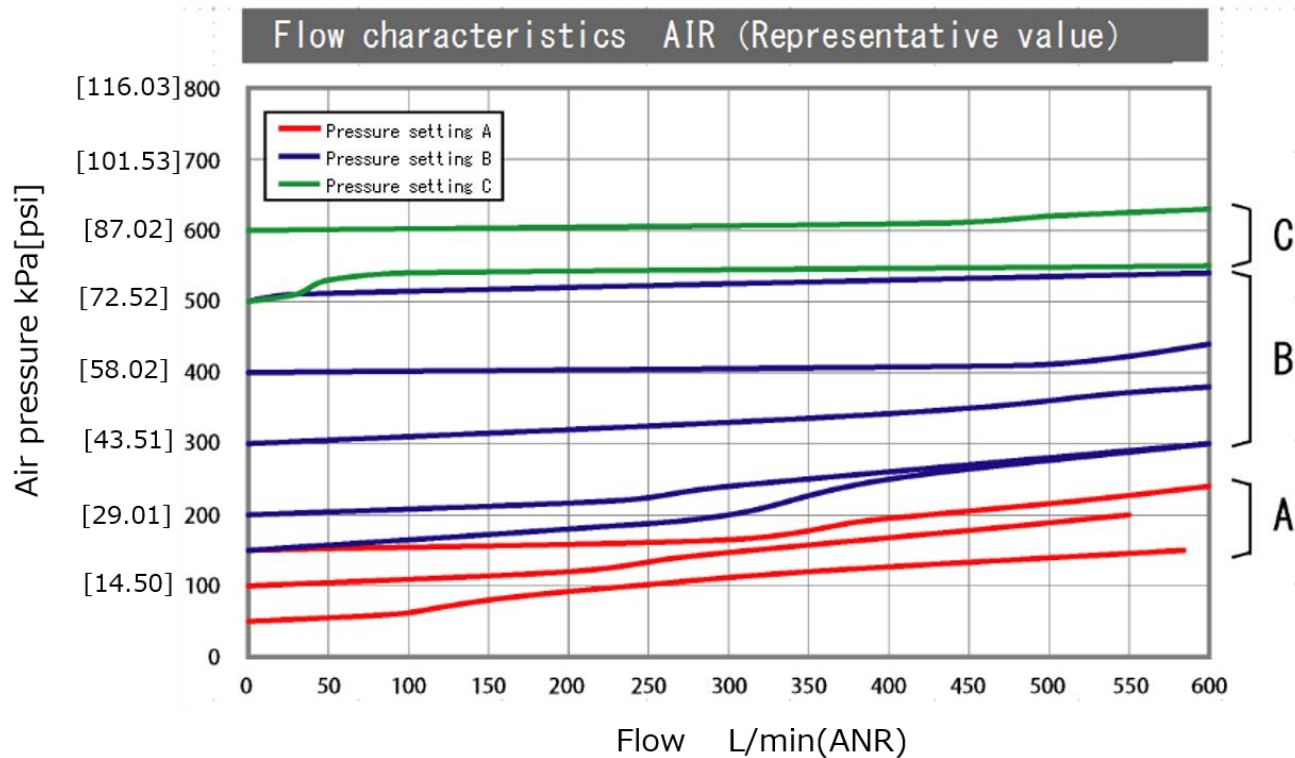
Caution  
Please order setting pressure at kPa.

Example) In case of 0.05MPa(50kPa) < 50 >  
In case of 1MPa(1000kPa) < 1000 >



# FUJIKURA COMPOSITES

## ■ Characteristic



FUJIKURA COMPOSITES

### Contact us

Control Equipment

Head office: TOC Ariake East Tower 10F, 3-5-7 Ariake,  
Koto-ku, Tokyo, Japan 135-0063

TEL +81-3-3527-8573

E-mail: seigyotoiawase.en@fc.fujikura.co.jp

URL: <https://www.fujikura-control.com/>